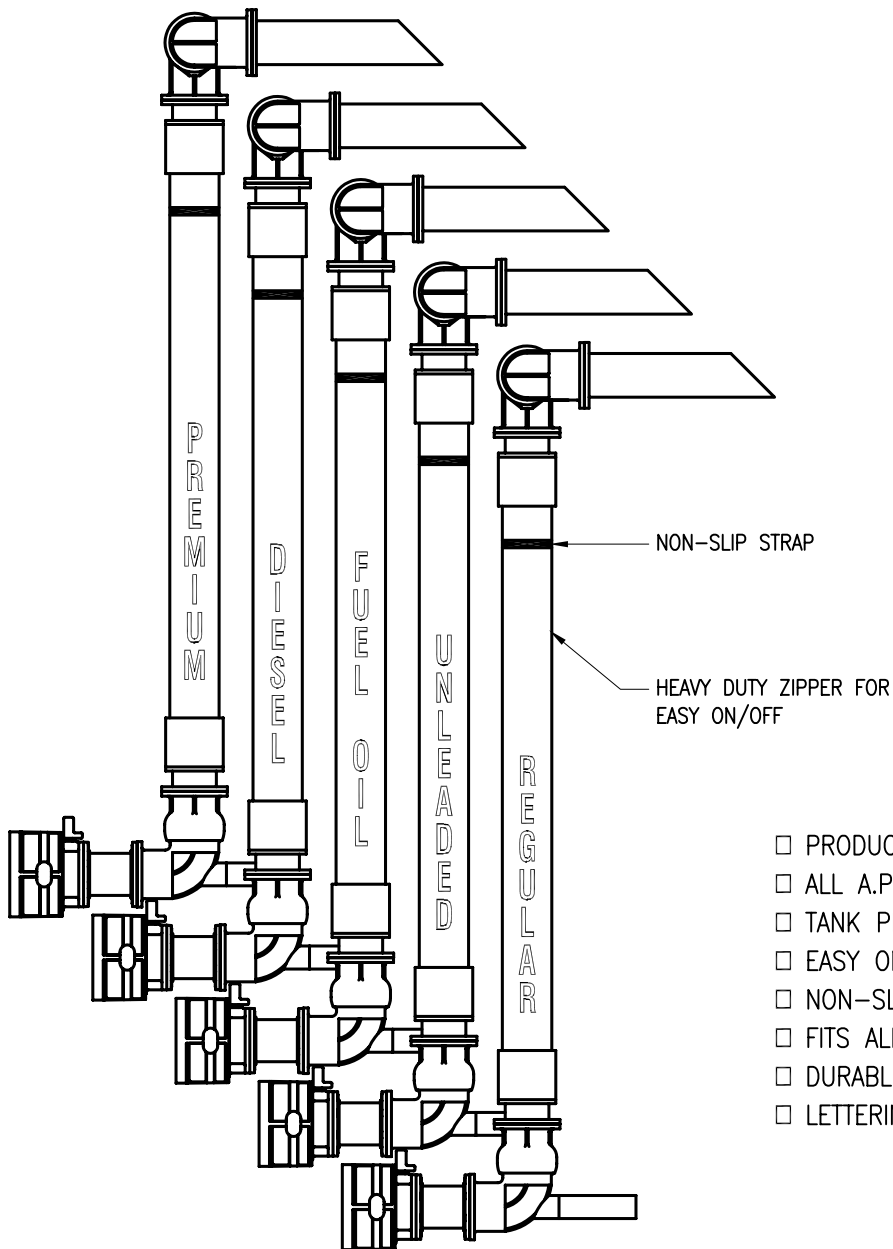


RACK HOSE COVERS



- PRODUCT IDENTIFICATION
- ALL A.P.I. COLORS & MORE
- TANK PROTECTION
- EASY ON/OFF & CLEANING
- NON-SLIP STRAP
- FITS ALL RACK HOSES
- DURABLE TO LAST
- LETTERING & LOGOS

OPW Fluid Transfer Group
Europe B.V. A WIPAC COMPANY

P.O. Box 32, 2150 AA NIEUW VENNEP
THE NETHERLANDS
Tel. (31) 252 660 300
Fax. (31) 252 687 258
Internet <http://www.opw-ftg.nl/>

TITLE:

RACK HOSE COVERS

THIS DRAWING IS THE EXCLUSIVE PROPERTY OF OPW-FTG EUROPE B.V.. IT IS SUBMITTED ON THE CONDITION THAT THE DESIGNS CONTAINED THEREIN BE HELD CONFIDENTIAL, AND IS SUBJECT TO RETURN ON DEMAND. © COPYRIGHT 2004

DRAWN: FVDM

DATE: 23-MAR-2004

SIZE
A4

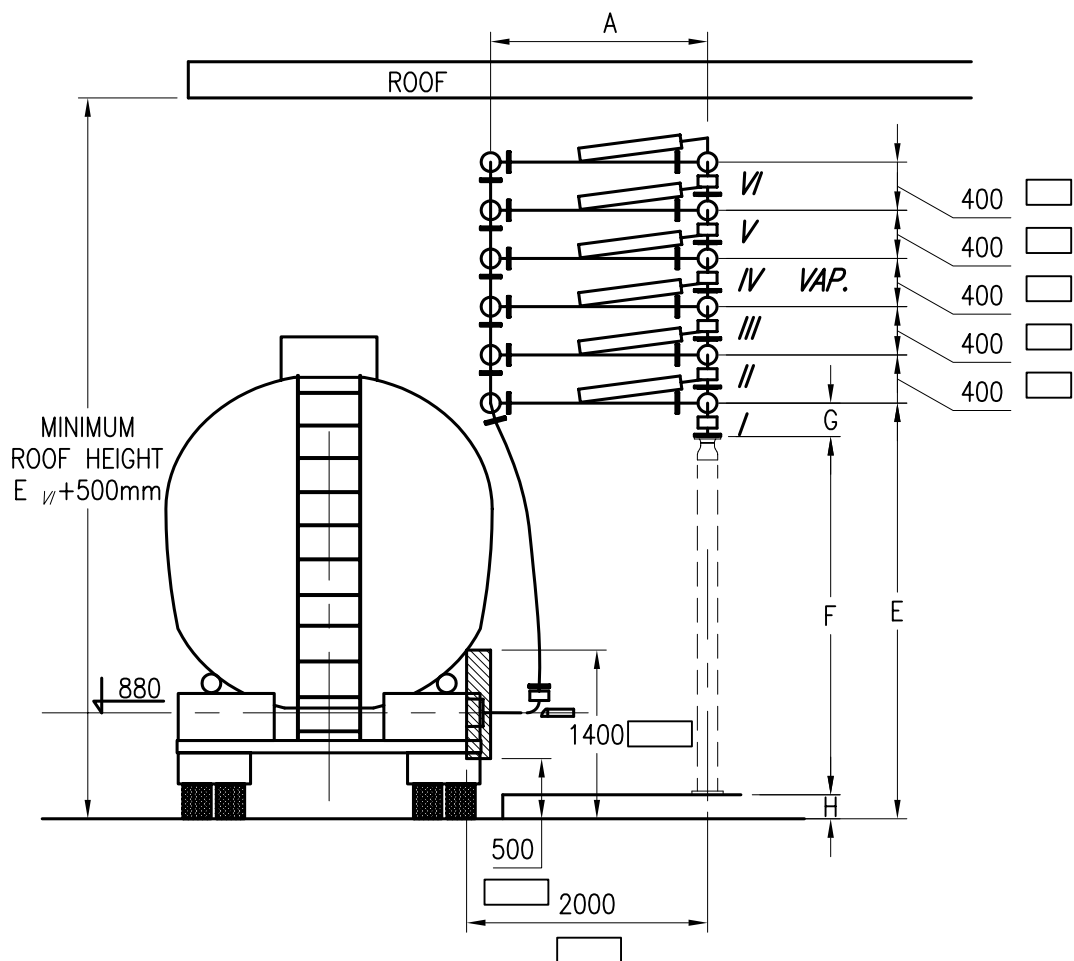
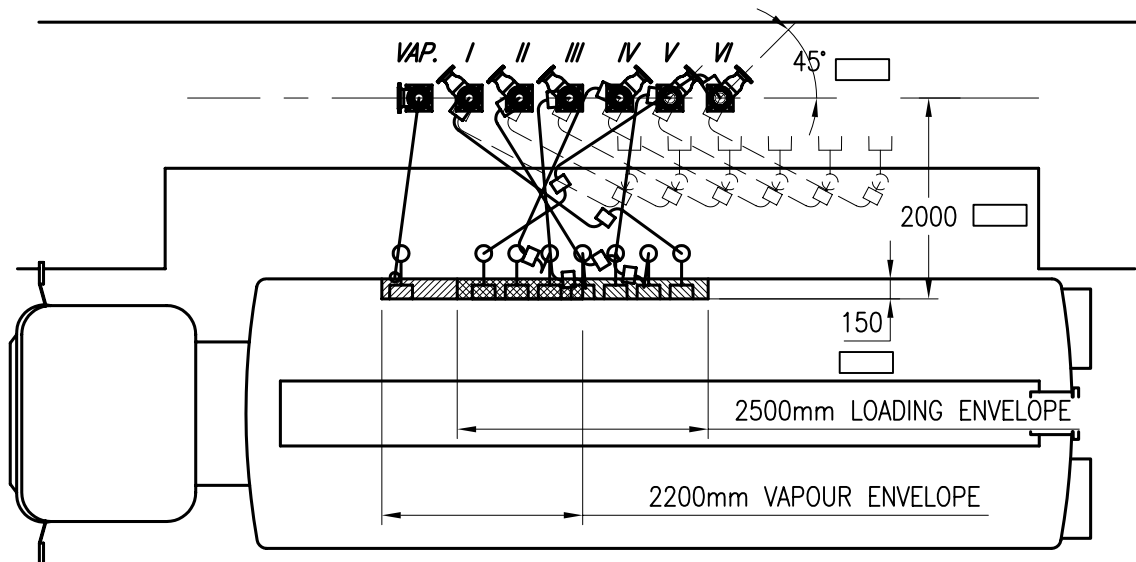
SHEET 1
OF 1

SCALE
none

SHEET No.

DS00326

REV.: B



NOTE : THIS DATA SHEET TO BE USED IN COMBINATION WITH DS00367

OPW Fluid Transfer Group
Europe B.V. A **WIPAC** COMPANY

P.O. Box 32, 2150 AA NIEUW VENNEP
THE NETHERLANDS
Tel. (31) 252 660 300
Fax. (31) 252 687 258
Internet <http://www.opw-ftg.nl/>

TITLE: TYPICAL API BOTTOM
LOADING SETUP

THIS DRAWING IS THE EXCLUSIVE PROPERTY OF OPW-FTG EUROPE B.V.. IT IS SUBMITTED ON THE CONDITION THAT THE DESIGNS CONTAINED THEREIN BE HELD CONFIDENTIAL, AND IS SUBJECT TO RETURN ON DEMAND. © COPYRIGHT 2004

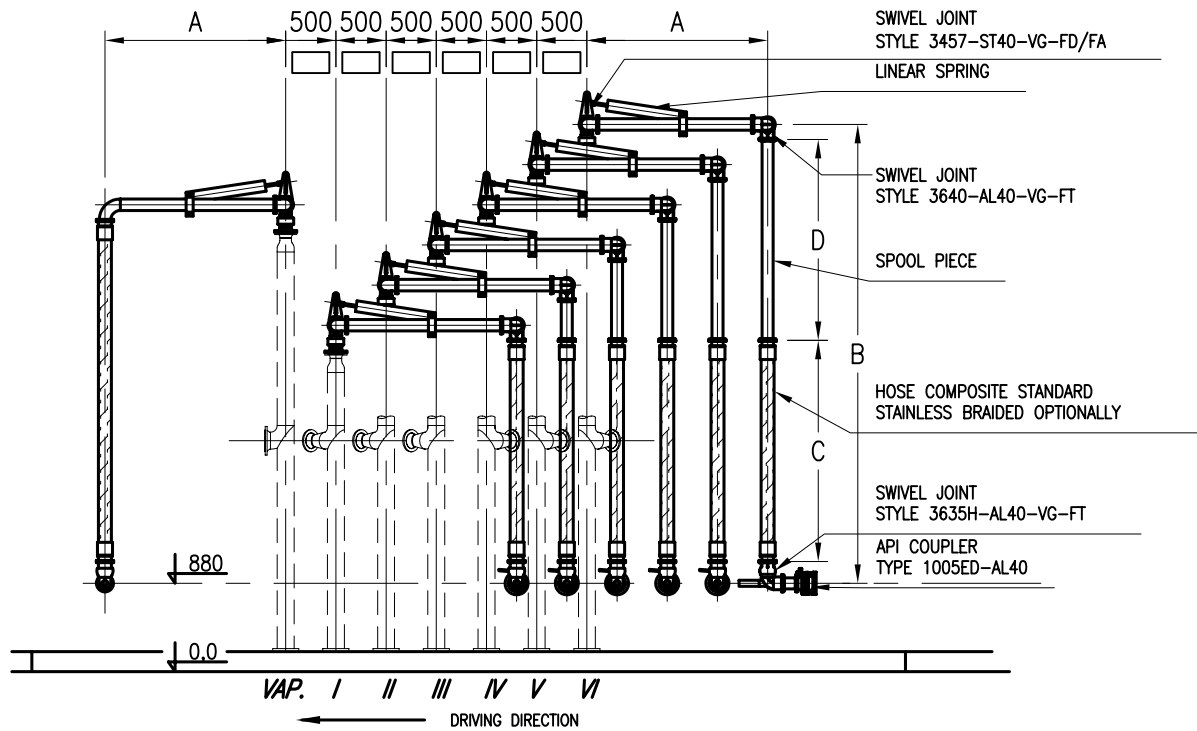
DRAWN: FVDM
DATE: 24-SEP-2002

SIZE A4 SHEET 1 OF 1 SCALE none

SHEET No.

DS00366

REV.: A

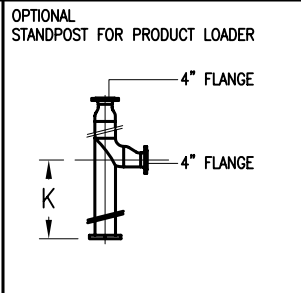
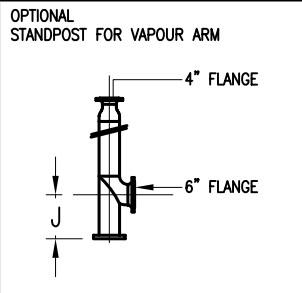


LOADING	A(mm)	B(mm)	C(mm)	D(mm)	E(mm)	F(mm)		G(mm)		H(mm)
						DIN	ASA	DIN	ASA	
I	1800	2570	2200	0	3450	3170 -H =	3150 -H =280	300
II	1800	2970	2200	400	3850	3570 -H =	3550 -H =280	300
III	1800	3370	2200	800	4250	3970 -H =	3950 -H =280	300
IV	1800	3770	2200	1200	4650	4370 -H =	4350 -H =280	300
V	1800	4170	2200	1600	5050	4770 -H =	4750 -H =280	300
VI	1800	4570	2200	2000	5450	5170 -H =	5150 -H =280	300
VAP.	1800	3770	3400	0	4650	4370 -H =	4350 -H =280	300
LOADING ARM	A(mm)	B(mm)	C(mm)	D(mm)	E(mm)	F(mm)		G(mm)		H(mm)

SPECIFY FLANGE CONNECTION STANDPOST REQUIRED IF YES, PLEASE SPECIFY DIMENSIONS
 H= mm
 J= mm
 K= mm

ASA / DIN YES / NO

IF THERE ARE OTHER DIMENSION(S), THAN THESE STANDARD DIMENSION(S), SPECIFY THE NEEDED DIMENSION(S) IN THE BOXES (NEXT OR UNDER) THE TO BE REVISED DIMENSION.



EUROPEAN API PRACTICE
 Draft European Standard WI 296006
 April 17/1996

NOTE : THIS DATA SHEET TO BE USED IN COMBINATION WITH DS00366



P.O. Box 32, 2150 AA NIEUW VENNEP
 THE NETHERLANDS
 Tel. (31) 252 660 300
 Fax. (31) 252 687 258
 Internet <http://www.opw-ftg.nl/>

TITLE: TYPICAL API BOTTOM LOADING SETUP

THIS DRAWING IS THE EXCLUSIVE PROPERTY OF OPW-FTG EUROPE B.V.. IT IS SUBMITTED ON THE CONDITION THAT THE DESIGNS CONTAINED THEREIN BE HELD CONFIDENTIAL, AND IS SUBJECT TO RETURN ON DEMAND. © COPYRIGHT 2004

DRAWN: FVDM
 DATE: 24-SEP-2002

SIZE A4 SHEET 1 OF 1 SCALE none

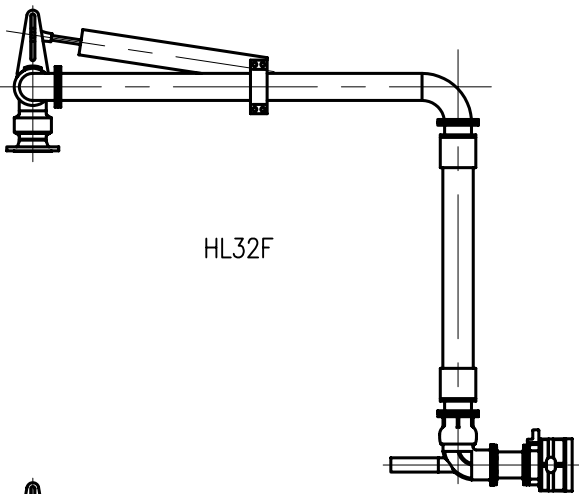
SHEET No.

DS00367

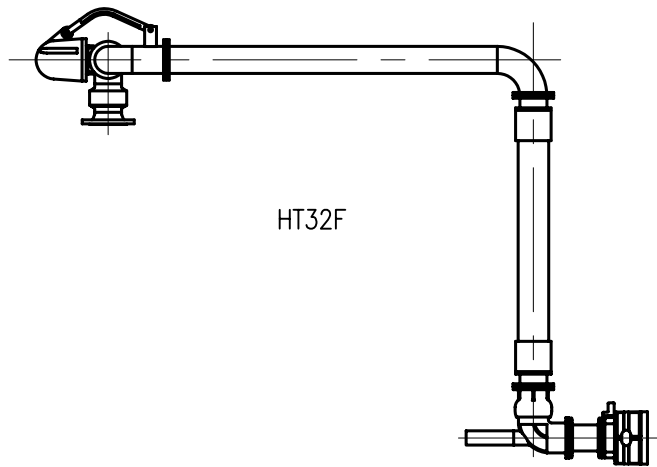
REV.: A

SPECIFICATION

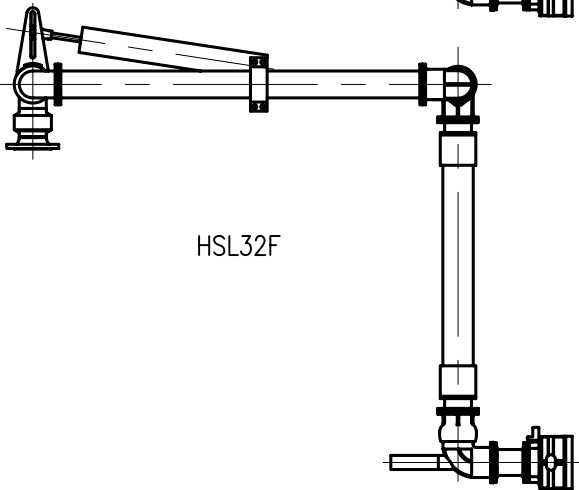
- H = HOSE LOADER
- S = DROPHOSE SWIVEL
- L = LINEAR SPRING
- T = TORSION SPRING
- F = FLANGED INLET



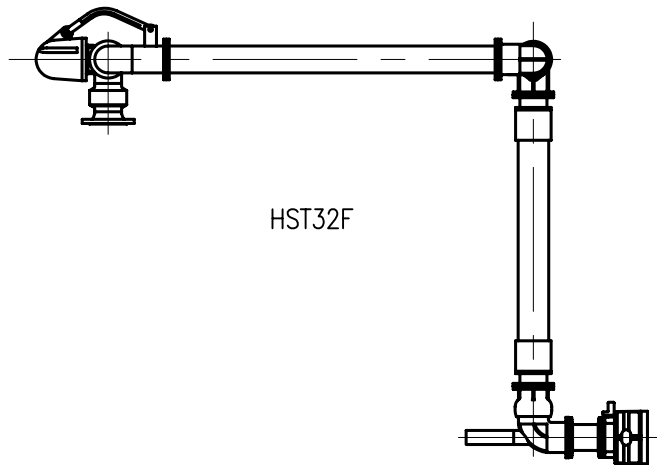
HL32F



HT32F



HSL32F



HST32F

OPW Fluid Transfer Group
Europe B.V. A  COMPANY

P.O. Box 32, 2150 AA NIEUW VENNEP
THE NETHERLANDS
Tel. (31) 252 660 300
Fax. (31) 252 687 258
Internet <http://www.opw-ftg.nl/>

TITLE:

TYPE HOSE LOADER

THIS DRAWING IS THE EXCLUSIVE PROPERTY OF OPW-FTG EUROPE B.V.. IT IS SUBMITTED ON THE CONDITION THAT THE DESIGNS CONTAINED THEREIN BE HELD CONFIDENTIAL, AND IS SUBJECT TO RETURN ON DEMAND. © COPYRIGHT 2004

DRAWN: FVDM

DATE: 26-SEP-2001

SIZE
A4

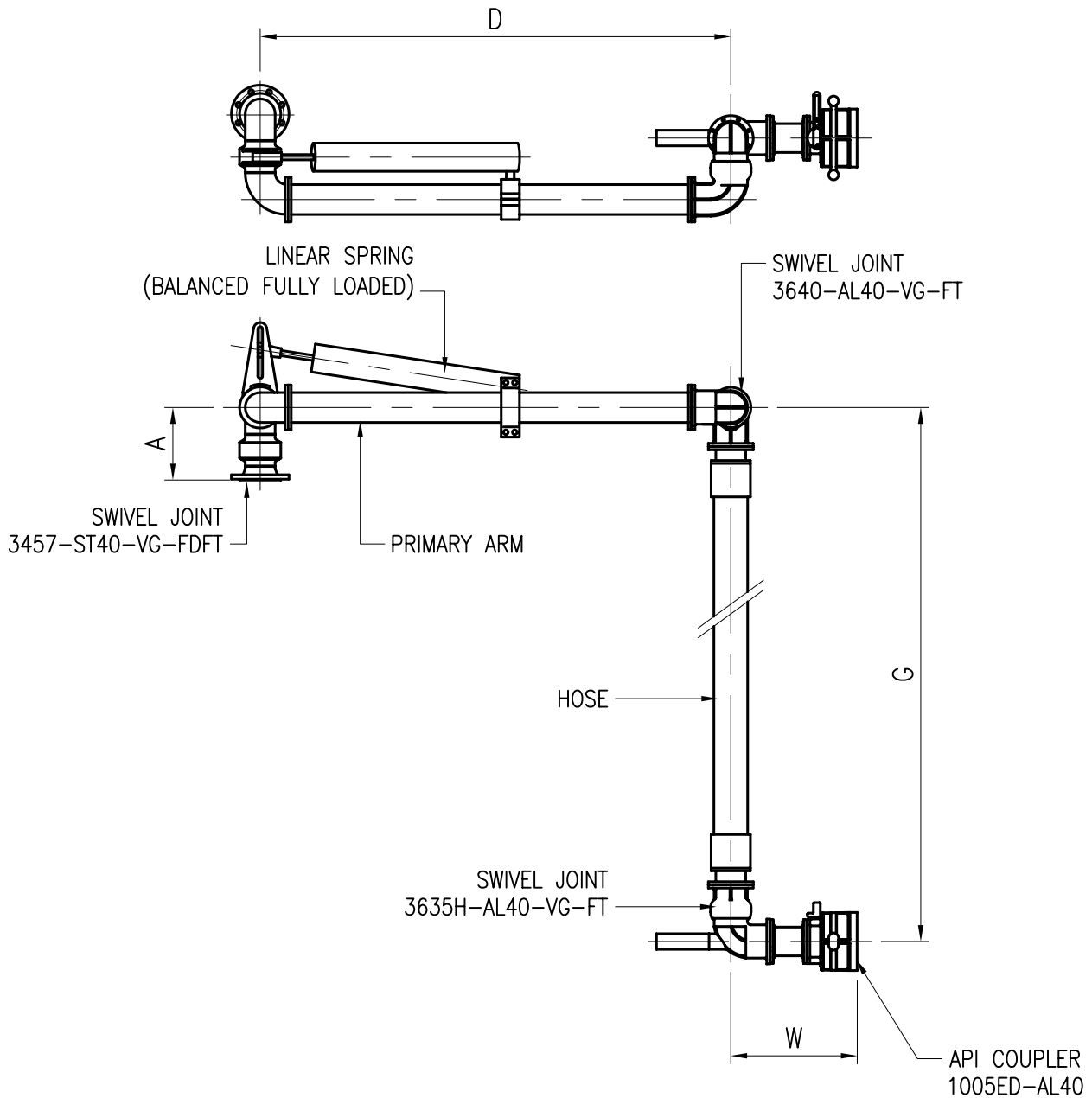
SHEET 1
OF 1

SCALE
none

SHEET No.

DS00316

REV.: A



SIZE	DIMENSIONS					WEIGHT kg
	A DIN	A ASA	D	G	W	
4"	280	300	1800	2570 MIN.	465	117
4"	280	300	1800	5770 MAX.	465	132

NOTE : 1) INLET CONNECTION AVAILABLE IN ASA 150lbs RF AND DIN 2633 PN10/16
 2) OTHER DIMENSIONS ON REQUEST

OPW Fluid Transfer Group
 Europe B.V. A SWISS COMPANY

P.O. Box 32, 2150 AA NIEUW VENNEP
 THE NETHERLANDS
 Tel. (31) 252 660 300
 Fax. (31) 252 687 258
 Internet <http://www.opw-ftg.nl/>

TITLE: HOSE LOADER TYPE
 HSL32F-ST40-VG-DIN

THIS DRAWING IS THE EXCLUSIVE PROPERTY OF OPW-FTG EUROPE B.V.. IT IS SUBMITTED ON THE CONDITION THAT THE DESIGNS CONTAINED THEREIN BE HELD CONFIDENTIAL, AND IS SUBJECT TO RETURN ON DEMAND. © COPYRIGHT 2004

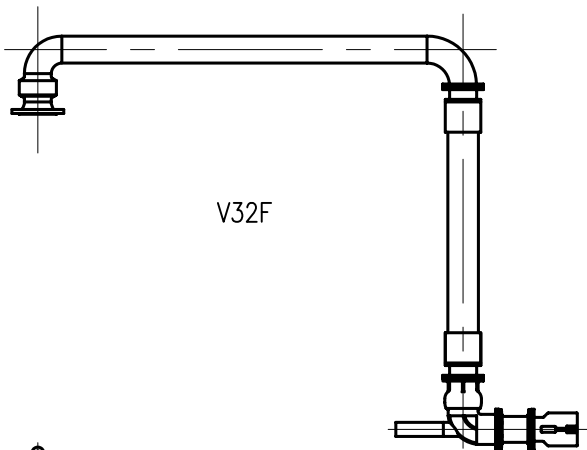
DRAWN: FVDM
 DATE: 20-SEP-2001

SIZE: A4
 SHEET OF: 1/1
 SCALE: none

SHEET No.

DS00310

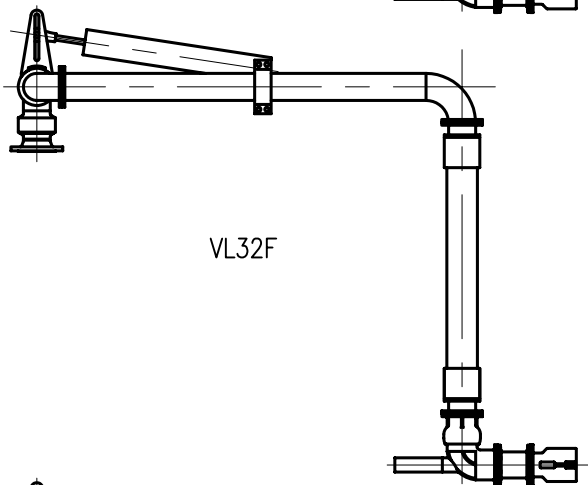
REV.: A



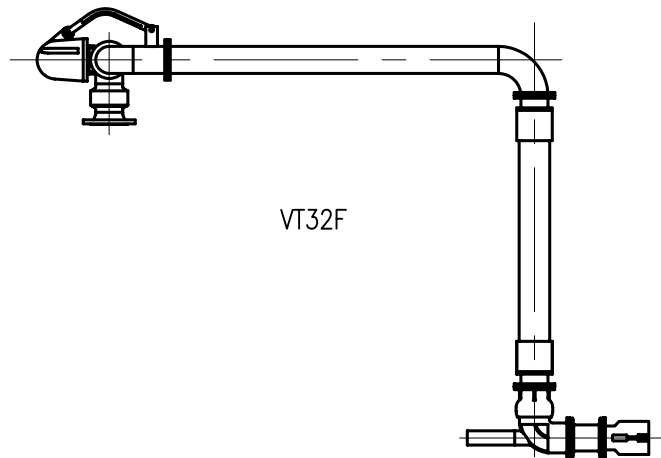
V32F

SPECIFICATION

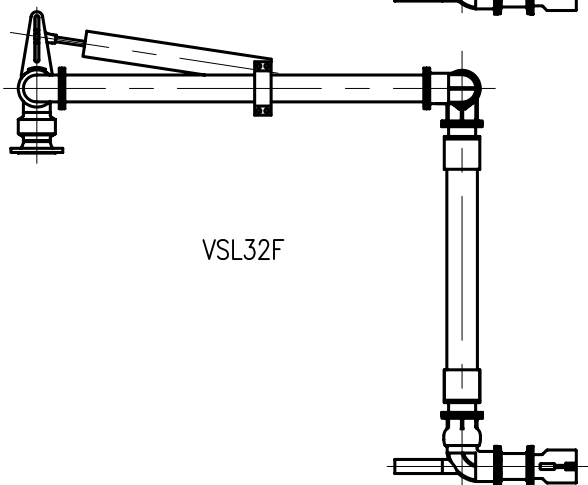
- V = VAPOUR ARM
- S = DROPHOSE SWIVEL
- L = LINEAR SPRING
- T = TORSION SPRING
- F = FLANGED INLET



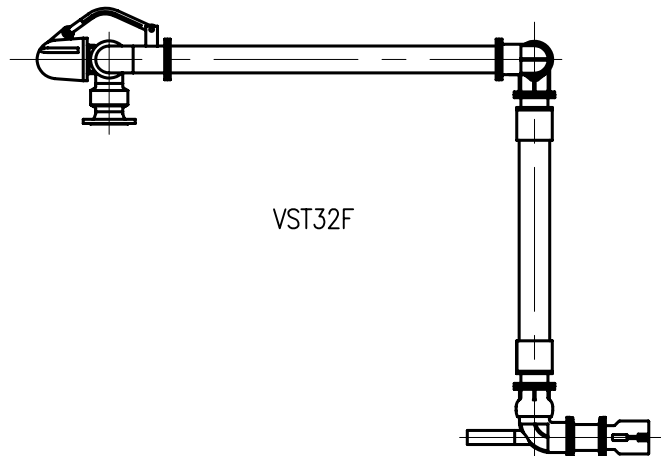
VL32F



VT32F



VSL32F



VST32F

OPW Fluid Transfer Group
Europe B.V. A  COMPANY

P.O. Box 32, 2150 AA NIEUW VENNEP
THE NETHERLANDS
Tel. (31) 252 660 300
Fax. (31) 252 687 258
Internet <http://www.opw-ftg.nl/>

TITLE:

TYPE VAPOUR ARM

THIS DRAWING IS THE EXCLUSIVE PROPERTY OF OPW-FTG EUROPE B.V.. IT IS SUBMITTED ON THE CONDITION THAT THE DESIGNS CONTAINED THEREIN BE HELD CONFIDENTIAL, AND IS SUBJECT TO RETURN ON DEMAND. © COPYRIGHT 2004

DRAWN: FVDM

DATE: 26-SEP-2001

SIZE
A4

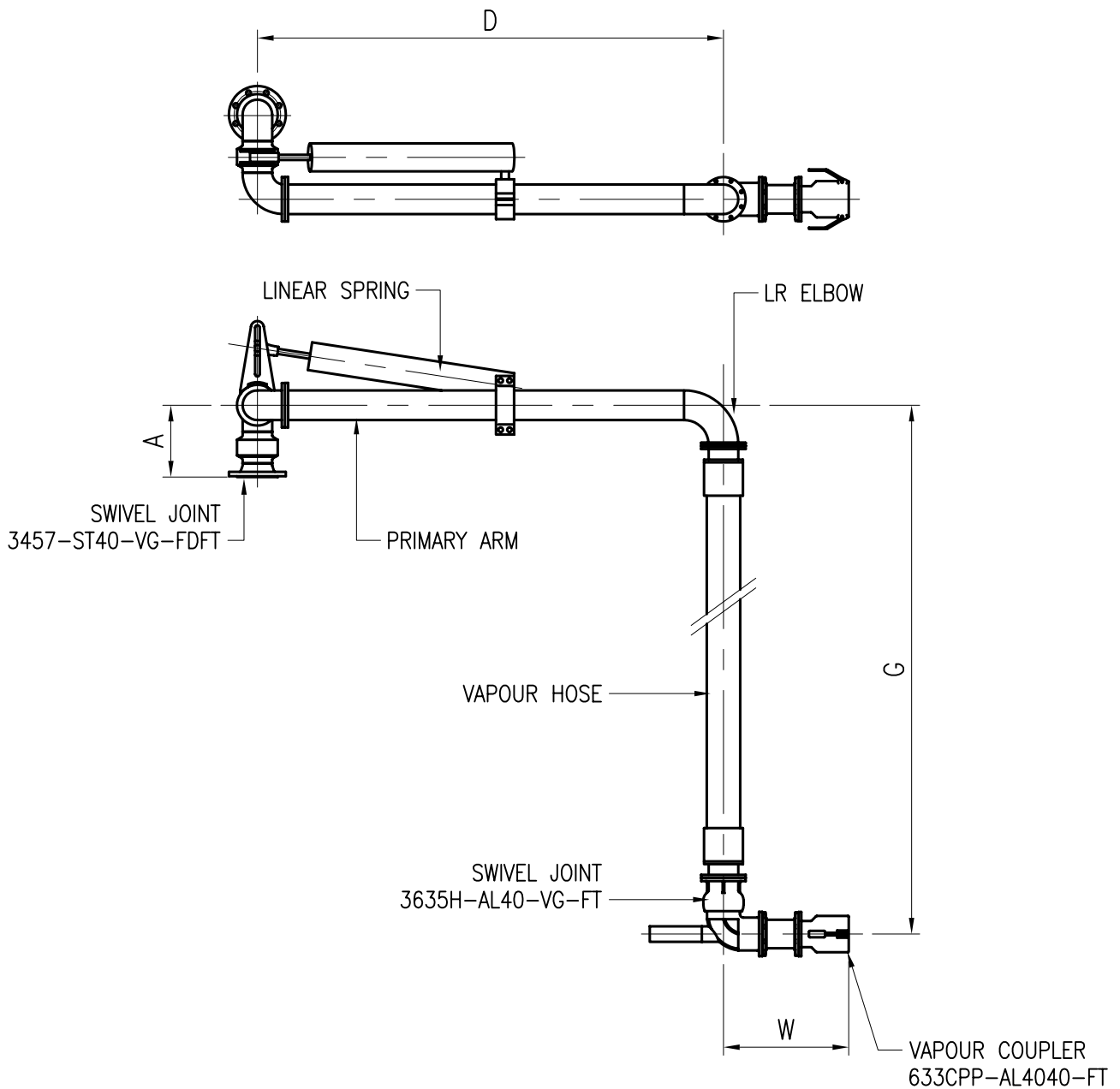
SHEET 1
OF 1

SCALE
none

SHEET No.

DS00315

REV.: A



SIZE	DIMENSIONS					WEIGHT kg
	A DIN	A ASA	D	G	W	
4"	280	300	1800	2570 MIN.	465	108
4"	280	300	1800	6170 MAX.	465	122

NOTE : 1) INLET CONNECTION AVAILABLE IN ASA 150lbs RF AND DIN 2633 PN10/16
 2) OTHER DIMENSIONS ON REQUEST



TITLE: VAPOUR ARM TYPE
 VL32F-ST40-VG-DIN

THIS DRAWING IS THE EXCLUSIVE PROPERTY OF OPW-FTG EUROPE B.V.. IT IS SUBMITTED ON THE CONDITION THAT THE DESIGNS CONTAINED THEREIN BE HELD CONFIDENTIAL, AND IS SUBJECT TO RETURN ON DEMAND. © COPYRIGHT 2004

DRAWN: FVDM
 DATE: 27-NOV-2001

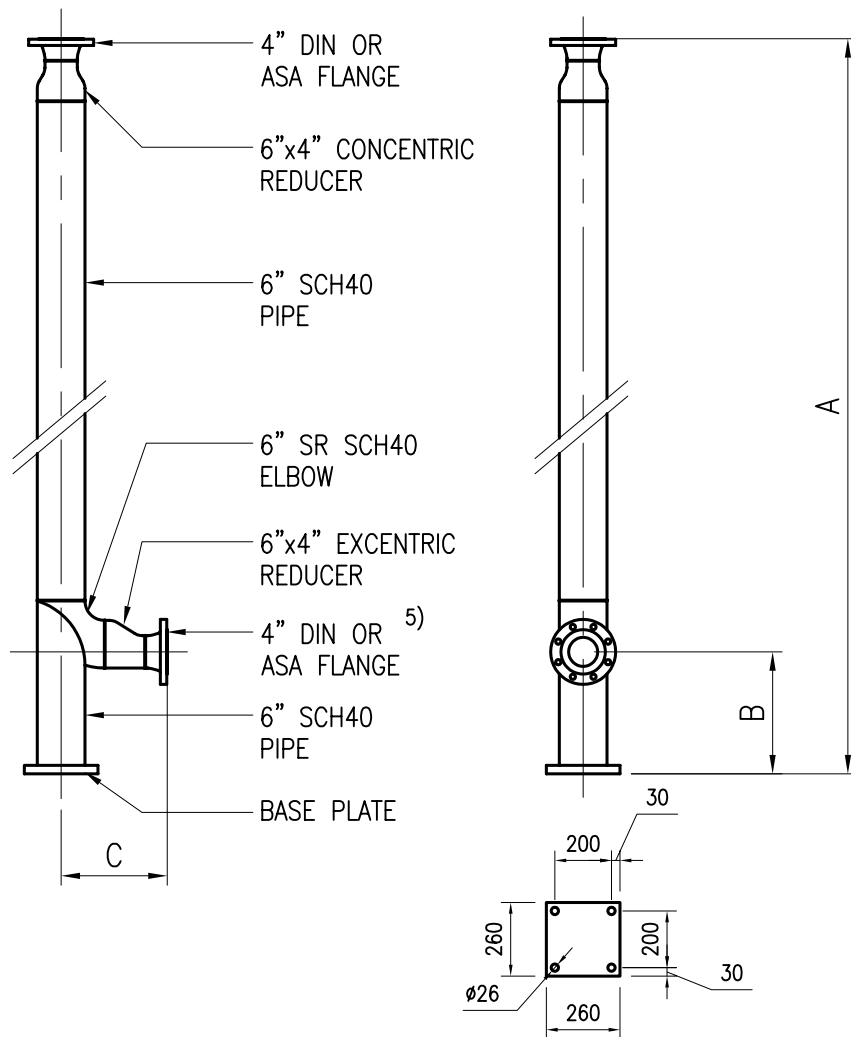
P.O. Box 32, 2150 AA NIEUW VENNEP
 THE NETHERLANDS
 Tel. (31) 252 660 300
 Fax. (31) 252 687 258
 Internet <http://www.opw-ftg.nl/>

SIZE A4 SHEET 1 OF 1 SCALE none

SHEET No.

DS00343

REV.: A



LOAD. ARM	DIMENSIONS					WEIGHT (DIN) kg	WEIGHT (ASA) kg
	A DIN	A ASA	B	C DIN	C ASA		
I	2970	2950	BY CUSTOMER	350	375	116	119
II	3370	3350	BY CUSTOMER	350	375	127	130
III	3770	3750	BY CUSTOMER	350	375	139	142
IV	4170	4150	BY CUSTOMER	350	375	150	153
V	4570	4550	BY CUSTOMER	350	375	162	165
VI	4970	4950	BY CUSTOMER	210	245	173	176
VAP 6)	4170	4150	BY CUSTOMER	210	245	147	153

- NOTE :
- 1) STANDARD STANDPOST DIMENSIONS FOR TYPICAL HOSE LOADER SETUP (DWG DS00367)
 - 2) OTHER DIMENSIONS ON REQUEST
 - 3) IN/OUTLET CONNECTION AVAILABLE IN ASA 150lbs RF AND DIN 2633 PN10/16
 - 4) STANDPOST MATERIAL STEEL
 - 5) DIMENSION "A" IS BASED ON A SIDEWALK HEIGHT OF 200mm
 - 6) VAP= VAPOUR ARM; CONNECTION TO VAPOUR LINE 6" DIN OR ASA FLANGE

OPW Fluid Transfer Group
Europe B.V. A WORLD COMPANY

P.O. Box 32, 2150 AA NIEUW VENNEP
THE NETHERLANDS
Tel. (31) 252 660 300
Fax. (31) 252 687 258
Internet <http://www.opw-ftg.nl/>

TITLE:

STANDPOST HOSE LOADERS

THIS DRAWING IS THE EXCLUSIVE PROPERTY OF OPW-FTG EUROPE B.V.. IT IS SUBMITTED ON THE CONDITION THAT THE DESIGNS CONTAINED THEREIN BE HELD CONFIDENTIAL, AND IS SUBJECT TO RETURN ON DEMAND. © COPYRIGHT 2004

DRAWN: FVDM

DATE: 25-SEP-2002

SIZE
A4

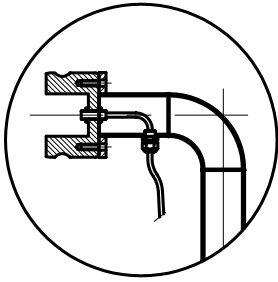
SHEET
OF 1/1

SCALE
none

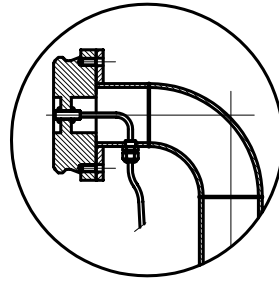
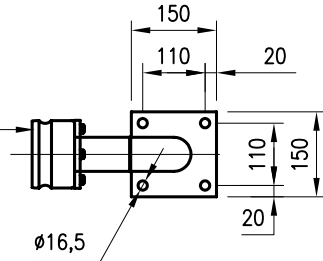
SHEET No.

DS00328

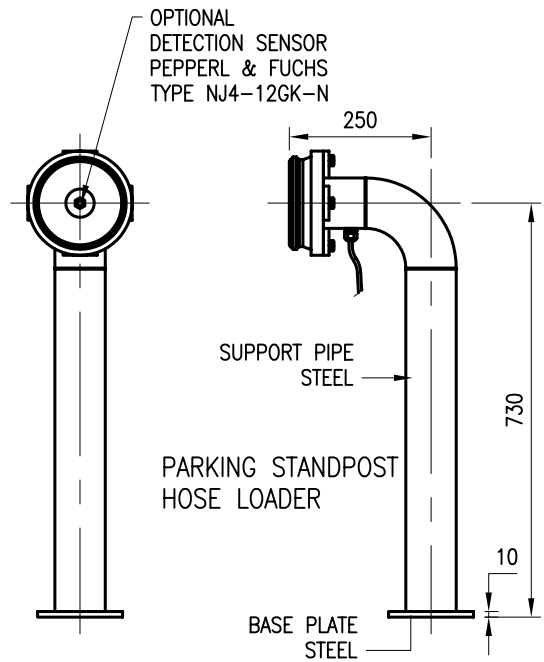
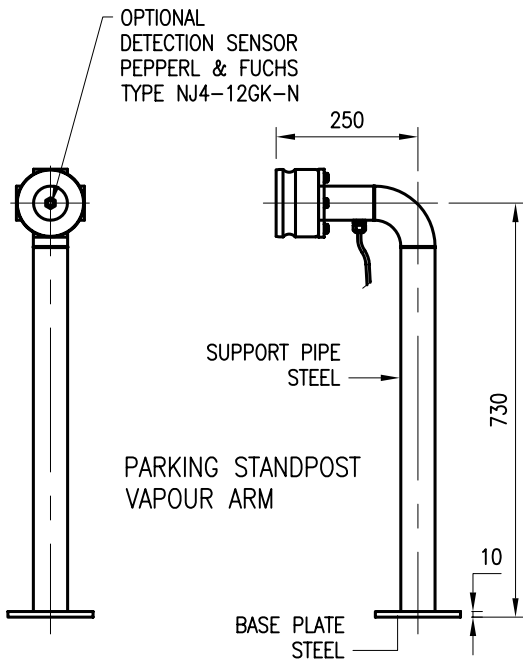
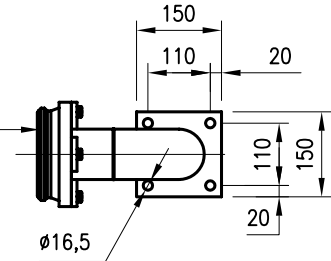
REV.: **C**



ADAPTOR ALUMINIUM
633CPA-40
(FOR COUPLER
633CPP-AL4040)



API ADAPTOR ALUMINIUM
1005PA-AL40
(FOR COUPLER
1005ED-AL40)



NOTE : 1) OTHER DIMENSIONS ON REQUEST

OPW Fluid Transfer Group
Europe B.V. A **WIPAC** COMPANY

P.O. Box 32, 2150 AA NIEUW VENNEP
THE NETHERLANDS
Tel. (31) 252 660 300
Fax. (31) 252 687 258
Internet <http://www.opw-ftg.nl/>

TITLE: **PARKING STANDPOST
FOR HOSE LOADER**

THIS DRAWING IS THE EXCLUSIVE PROPERTY OF OPW-FTG EUROPE B.V.. IT IS SUBMITTED ON THE CONDITION THAT THE DESIGNS CONTAINED THEREIN BE HELD CONFIDENTIAL, AND IS SUBJECT TO RETURN ON DEMAND. © COPYRIGHT 2004

DRAWN: FVDM
DATE: 01-OCT-2001

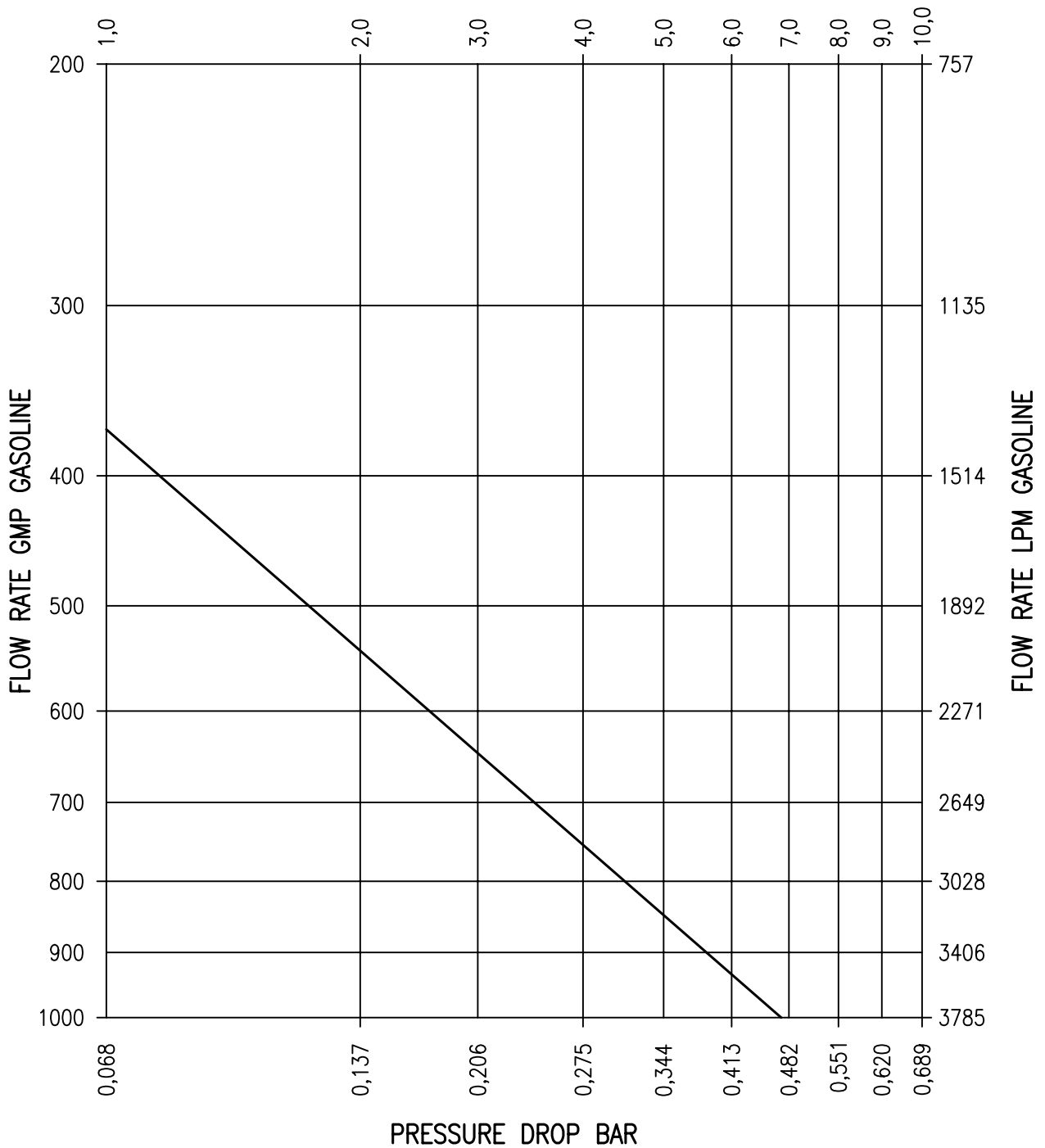
SIZE A4	SHEET OF 1	SCALE none
-------------------	---------------	---------------

SHEET No.

DS00319

REV.: **A**

FLOW CHART
PRESSURE DROP PSI



TITLE: FLOW CHART 4" 1005ED COUPLER
+ 866 ADAPTOR

THIS DRAWING IS THE EXCLUSIVE PROPERTY OF OPW-FTG EUROPE B.V.. IT IS SUBMITTED ON THE CONDITION THAT THE DESIGNS CONTAINED THEREIN BE HELD CONFIDENTIAL, AND IS SUBJECT TO RETURN ON DEMAND. © COPYRIGHT 2004

DRAWN: FVDM

DATE: 28-JUN-2002

P.O. Box 32, 2150 AA NIEUW VENNEP
THE NETHERLANDS
Tel. (31) 252 660 300
Fax. (31) 252 687 258
Internet <http://www.opw-ftg.nl/>

SIZE
A4

SHEET 1
OF 1

SCALE
none

SHEET No.

DS00373

REV.: A